

DEL MEDICAL

VS300

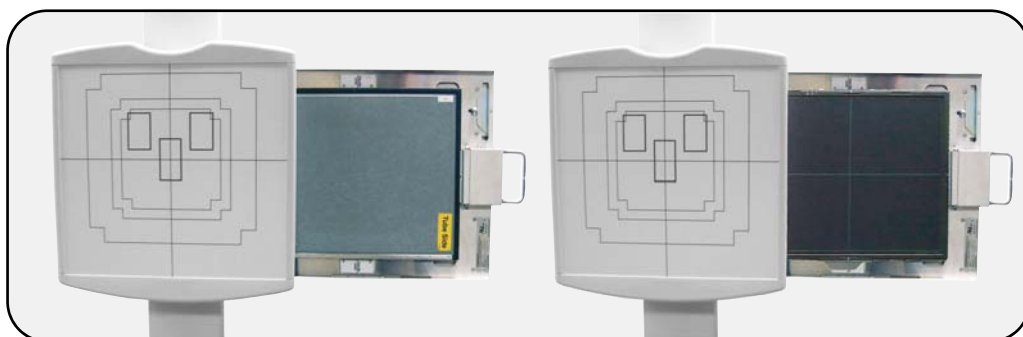
Upright Wall Stand

The Del Medical VS300 has a robust streamlined design with soft, rounded edges to make it an attractive addition for any hospital or busy imaging center.

The smooth vibration free up and down movement along our classic slender column allows for easy and accurate positioning. The bucky lowers to the floor allowing for a full range of upright, standing and cross-table lateral studies.

Product Features

- Electric "Fail Safe" locks
- Ergonomic release handle
- Side-mounted and overhead patient hand grips
- Cable concealment system
- Available with 17" x 17" (43cm x 43cm) grid cabinet or bucky and a wide selection of grid options



Configurable for analog or digital imaging

VS300

Upright Wall Stand

Technical Specifications

Height (includes vertical travel):	84" (213.4cm)
Depth:	13.4" (34cm)
Receptor width:	24.6" (62.5cm)
Weight (with receptor):	200lb (91kg)
Front panel aluminum equivalency:	0.4mm

Electrical Specifications

24VDC, 1.25 max. momentary amps
60' cable for 24VDC is provided

Certifications

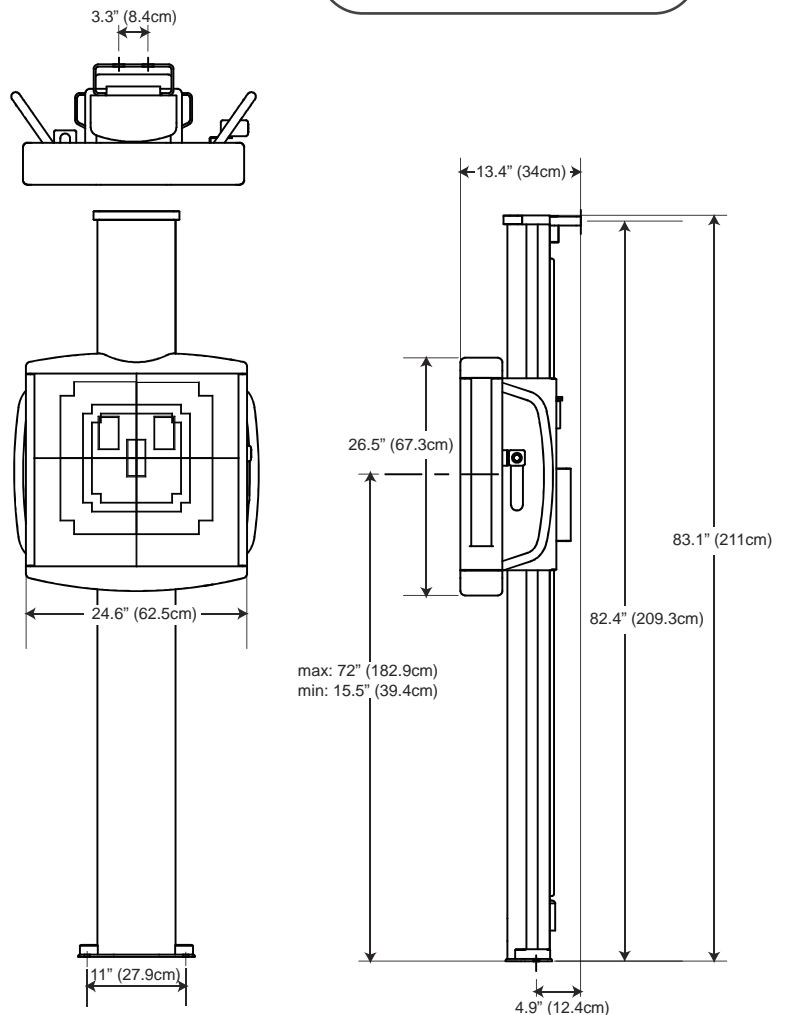
- ETL listed

VS300 Options

- 17" x 17" (43cm x 43cm) grid cabinet or bucky
- Deluxe, heavy-duty manual cassette tray
- Size-sensing cassette tray with PBL interface
- Floor mount kit for freestanding version
- Wall mount bracket extension kit
- Auto tracking kit
- Ion chamber (AEC)
- Variety of grid options



Floor mount kit



DEL MEDICAL

Toll Free: (800) 800-6006

Fax: (847) 288-7011

Email: info@delmedical.com

www.delmedical.com

241 Covington Drive, Bloomingdale, IL 60108

*Del Medical is a UMG Company.
Del Medical is an ISO 13485 & ISO9001 Certified Facility.
Specifications are subject to change without notice.*

UMG

Toll Free: (800) 261-9808

Fax: (914) 835-6111

Email: info@umgxray.com

www.umgxray.com

28 Calvert Street, Harrison, NY 10528

05.13 #9000-VS300