

# DEL MEDICAL

## EV800

### Elevating, Four-Way Float Top Table

The Del Medical EV800, with an industry first 800lb patient weight limit, is built to demanding hospital quality standards and is ideally suited for any hospital or busy imaging center

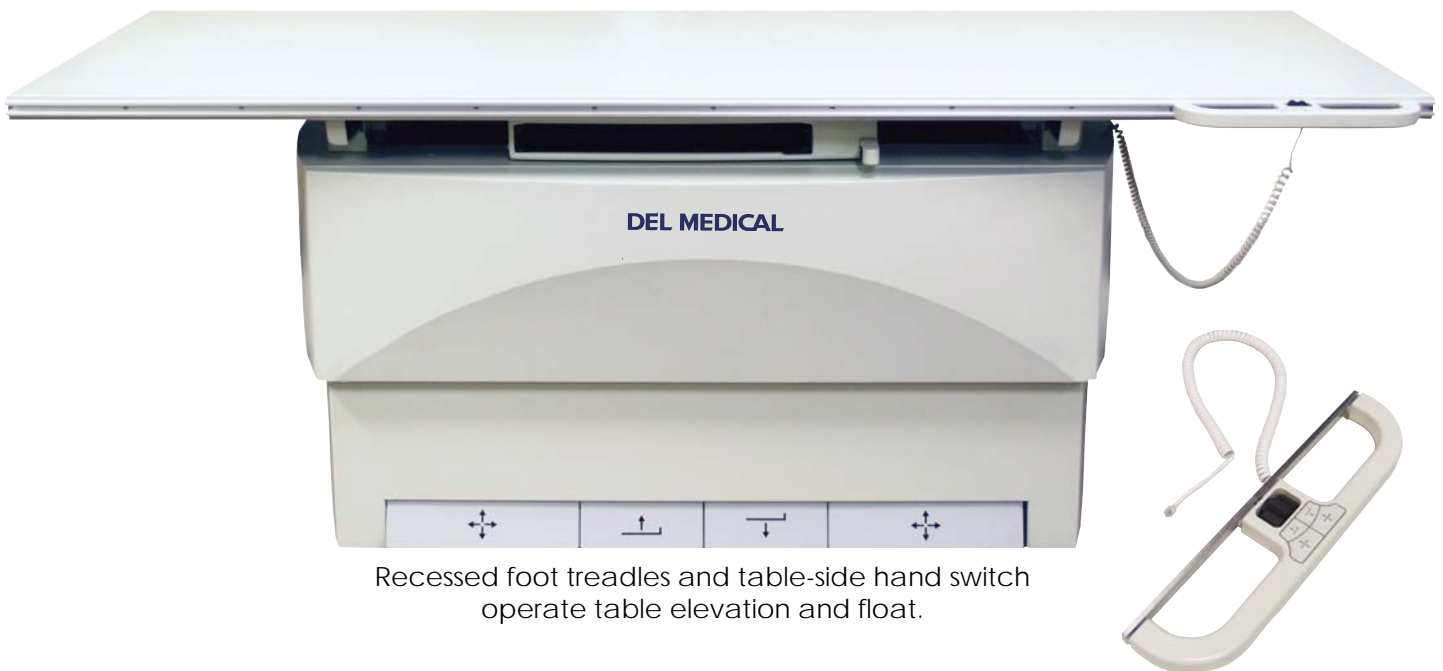
The EV800's most notable attributes are its rack and pinion motor drives providing smooth, quiet table elevation and its precision roller bearing system that allows our floating table top to glide freely.

The smooth table top surface and soft rounded corners make the EV800 an attractive elevating table that is sure to compliment any imaging suite.

The EV800 is configurable with any Del Medical tube and/or wall stand for a complete imaging suite.

#### Product Features

- Smooth, quiet table operation with rack and pinion motor drive
- Integral collision sensors
- Heavy-duty electric table locks with foot treadle release
- All steel structure and welded base provides maximum strength and reliability
- Smooth, stain resistant fiber resin top



Recessed foot treadles and table-side hand switch operate table elevation and float.

# EV800

## Elevating, Four-Way Float Top Table



### Technical Specifications

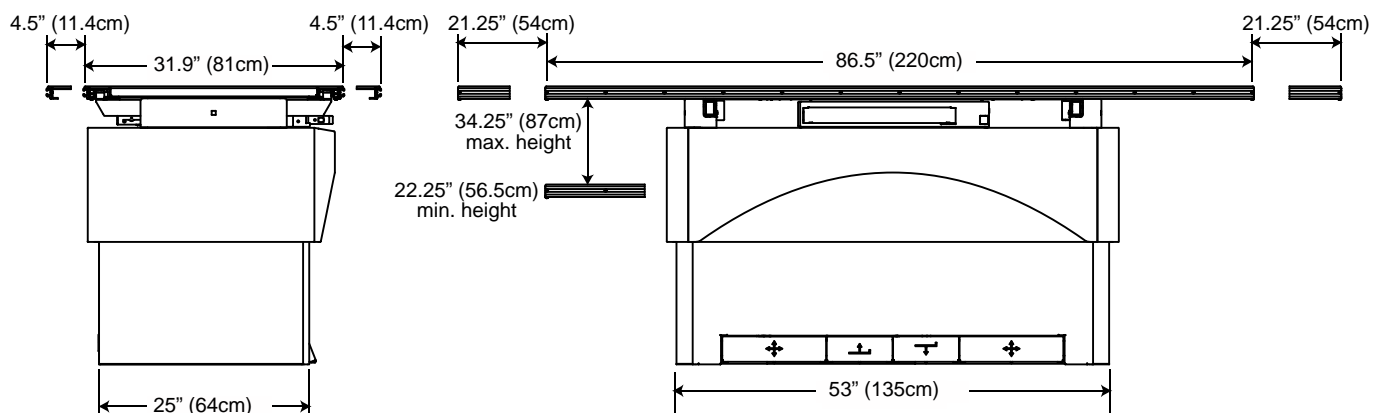
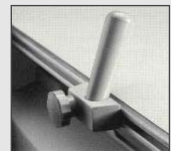
Load capacity:	800lb (363 kg)
Base length:	53" (135cm)
Base width:	25" (64cm)
Table top movement:	Longitudinal $\pm 21.25"$ (54cm) Transverse $\pm 4.5"$ (11.4cm)
Variable height:	22.25" (56.5cm) to 34.25" (87cm)
Bucky travel:	$\pm 8.5$ (22cm) <i>Some flat panel DR detectors may have some affect on table bucky travel.</i>
Top length, standard:	86.5" (220cm)
-optional	78" (198cm)
Top width, standard:	31.9" (81cm)
-optional	35.9" (91cm)
Table weight:	563lb (256kg)
Aluminum equivalency:	0.7mm
Power Requirements:	120 VAC or 230-240 VAC

### Certifications

- ETL listed

### Product Options

- 17" x 17" (43cm x 43cm) grid cabinet or bucky
- Deluxe, heavy-duty manual cassette tray
- Size-sensing cassette tray with PBL interface
- Ion chamber (AEC)
- 78" (198cm) table top length
- 35.9" (91cm) table top width
- Carbon fiber composite tabletop, (0.4mm Al. eq. @ 100kVp). Available for standard width only.
- Variety of grid options
- Lateral cassette holder
- Compression device
- Patient hand grips



## DEL MEDICAL

Toll Free: (800) 800-6006  
Fax: (847) 288-7011  
Email: info@delmedical.com  
www.delmedical.com  
241 Covington Drive, Bloomingdale, IL 60108

Del Medical is a UMG Company.  
Del Medical is an ISO 13485 & ISO9001 Certified Facility.  
Specifications are subject to change without notice.

## UMG

Toll Free: (800) 261-9808  
Fax: (914) 835-6111  
Email: info@umgxray.com  
www.umgxray.com  
28 Calvert Street, Harrison, NY 10528

05.13 #9000-EV800del