

700 lb. Patient
Weight Capacity

QT-712-EV

Elevating Radiographic Mobile Float-Top Table - A Digital Imaging Solution...



QT-712-EV ELEVATING MOBILE FLOAT-TOP TABLE

Quantum's QT-712-EV Elevating Mobile Float-Top Radiographic table features a revolutionary design that incorporates the flexibility of a mobile radiographic table, that has a floating top, along with special elevating features. Another unique characteristic of the QT-712-EV table is the special "Pivot" feature, which is designed to allow quick and easy placement of the table into various positions. The QT-712-EV pivot option is specifically designed for the new Quantum Q-Rad PQ Digital Radiographic system. The pivot feature makes the QT-712-EV Table an excellent choice for imaging patients on a single receptor DR system, as it provides the same capabilities as a fixed radiographic table, yet can be moved entirely out of the room if required.

The QT-712-EV is powered by special long-life batteries. When fully charged, the table can provide over 100 cycles of lowering and elevation, with a typical patient (approximately 180-250 lb.). After 2-1/2 minutes of non-use, the table electronics go into a "sleep" mode to conserve battery charge power. The table electronics are reactivated by simply touching the foot switch or hand control switches. The unit will then "wake up" and return to normal operation. The system also provides a visual light indicator, letting the user know when the table needs to be charged. Charging is easily accomplished by plugging the retractable cord into the unit.

The elevation range of the QT-712-EV is from 22.50" to 33.75" (57 - 86 cm), with motion speed of approximately one inch/second of travel. The floating table-top is 85" in length and provides 19" (+/- 9 1/2") of longitudinal travel.

The table-top width is 28" and provides 5" (+/- 2 1/2") of transverse travel. The table side control handle activates not only the table's vertical drive mechanism, but also the electromagnetic locks for the floating top.

The QT-712-EV table allows patients to be imaged from head-to-toe, without requiring the technologist to move the patient in most situations. This feature improves patient throughput and operator efficiency. The table-top is constructed of a low absorption, radiolucent material, making it durable and very easy to clean. It can accommodate a maximum patient weight of up to 700 lbs. (318 kg). Adjustable operator/patient handgrips are standard and can be positioned along both sides of the table's concealed accessory rails. These grips can be used by the operator for table movement, or to assist the patient during transfer or re-positioning. The table also includes a "QUAD-Locking Wheel" feature, which allows the technologist to lock all four wheels with one convenient foot control. The QT-712-EV's revolutionary design combines the flexibility of a standard elevating/float top table with that of a mobile type design.

The unique pivot feature of the QT-712-EV provides the technologist with superior positioning capabilities and faster throughput.



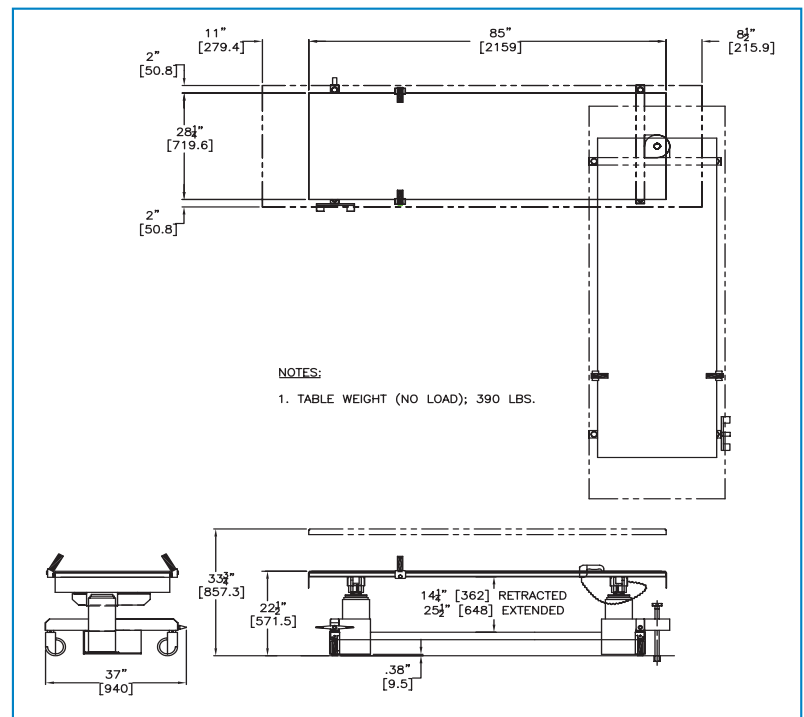
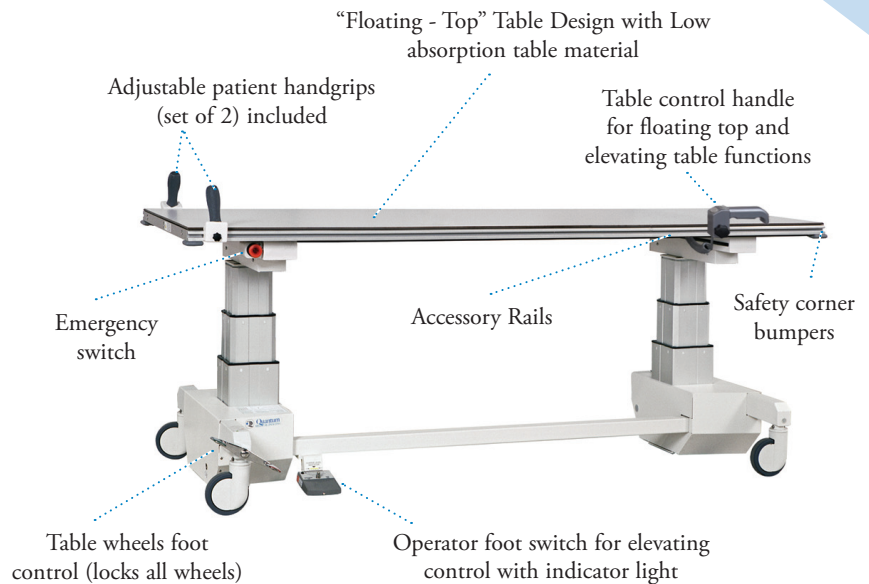
Innovations in Digital Imaging

QT-712-EV Specifications

700 lb. Patient Weight Capacity

QT-712-EV ELEVATING MOBILE FLOAT-TOP RADIOGRAPHIC TABLE:

- Patient Weight capacity: 700 lbs. (318.2 kg)
- Elevating (Motorized) Travel Range of 22.5" - 33.75" (57 - 86 cm)
- Collision sensing electronics of elevating motion for safety, with auto stop control
- Laser sensors below table for sensing digital image receptor, with automatic stopping
- Table control handle for float top and elevating functions (control mounts along accessory rails)
- Foot controlled switch for elevating function, with digital "LED" type indicators of power level charge
- Programmable "Preset" table height position, with indicator on foot control
- Table Length 85" (216 cm)
- Table Longitudinal Travel +/- 9.5" (19" Total / 48 cm)
- Table Width 28" (71.12 cm)
- Table Transverse Travel +/- 2.5" (5" Total / 12.7 cm)
- Includes one set (2) Patient Grips
- Accessory rails (both sides)
- Table-top Markings: two lines along table length, to indicate actual image area
- Includes Table corner bumpers
- "QUAD" Locking wheel system, with LEFT side single foot control lever, which locks ALL four wheels
 - Includes "Steering" wheel feature: right side wheel locks at 0° or 90°, when table is moved
- Unit designed to operate without need for incoming power line (battery storage unit) ("GEL CELL" long-lasting battery type; with no maintenance required)
- Includes battery charger unit (wall or shelf mounted), with retractable power cord (25' length type) for recharging
 - Power input: 115 VAC / single phase / 10 Amp (Int'l: 220 VAC / single phase)



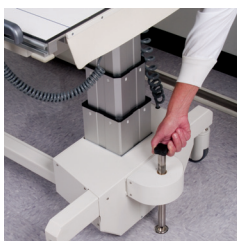
Specifications subject to change without prior notice.

OPTIONAL ITEMS FOR QT-712-EV TABLE:

QT-MOD: Table top length may be specially modified (consult factory)

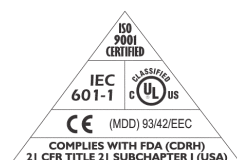
R90-CB: Patient Compression Device

QT-PVT: Pivot device (*designed for ceiling mounted systems; not useful with a Universal System*).



Innovations in Digital Imaging

© 2010 Quantum Medical Imaging, LLC
p/n: QMI712-EV (02/10)



This Device contains a Class II Laser

Quantum Medical Imaging, LLC
2002 Orville Drive North
Ronkonkoma, NY 11779 USA
Tel (631) 567-5800
Fax (631) 567-5074
www.quantummedical.net